

BioEntry P2

Compact IP Fingerprint Device



BioEntry P2

Suprema BioEntry P2 is a compact fingerprint access control device featuring Suprema's next generation biometric technology and security platform. BioEntry P2 provides class-leading performance and security by featuring Suprema's latest fingerprint algorithm coupled with powerful 1.0GHz CPU. Packed in a million-type sleek design, BioEntry P2 also provides added flexibility in system design by featuring multi card reading with dual-frequency RFID technology. With its selection of communication interfaces and credential options, BioEntry P2 is a perfect IP access control solution for sites large or small.

BioEntry P2 Compact IP Fingerprint Device

Features



Best-in-class Performance

- Latest Suprema algorithm
- Fast matching: Max 10,000 match/sec
- Powerful 1.0GHz CPU
- High-precision OP5 optical sensor



Enterprise-level Capacity

- Max. 10,000 users
- Max. 1,000,000 event logs



Multi RFID Card Reading

- LF(125kHz), HF(13.56MHz) dual-band
- Reads all card types that HID multiCLASS supports (EM/HID Prox/MIFARE/CLASS/DESFire/FeliCa/NFC)



Versatile Interfaces

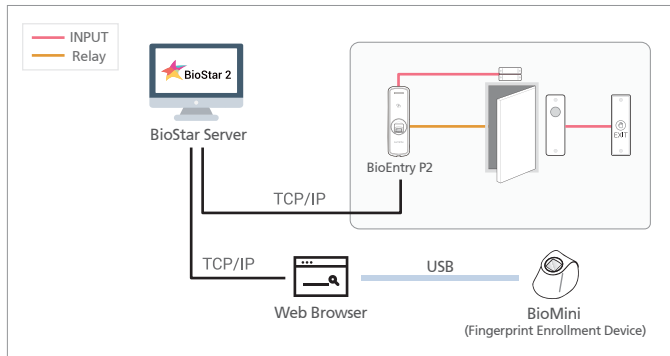
- Communication: TCP/IP, RS-485, Wiegand
- Input/output: TTL I/O, Relay

Specifications

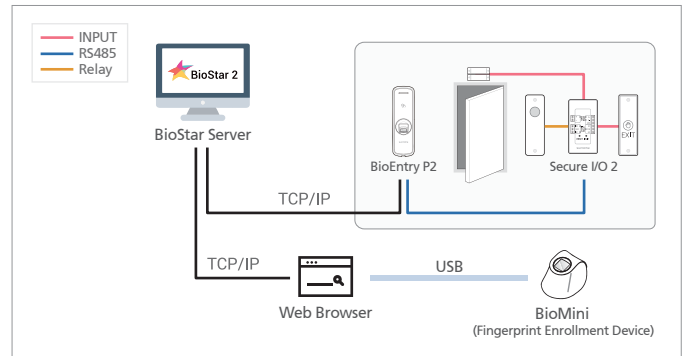
Biometric	Fingerprint
Sensor Type	Optical Sensor (OP5)
Template	SUPREMA / ISO 19794-2 / ANSI 378
Extractor / Matcher	MINEX certified and compliant
RF Option	BEP2-OD
	BEP2-OA
	BER2-OD
CPU	1.0 GHz
Memory	BEP2-OD/OA: 8GB Flash + 64 MB RAM BER2-OD: 32MB Flash + 32MB RAM
Max. User	10,000(1:1), 10,000(1:N)
Max. Template	20,000(1:1), 20,000(1:N) * Two templates per finger
Max. Logs	1,000,000(text)
LED	Multi-Color
Sound	Multi-tone Buzzer
Ethernet	10/100 Mbps, auto MDI/MDI-X
RS-485	1ch Host or Slave (Selectable)
Wiegand (BEP2-OD/OA only)	1ch Input or Output (Selectable)
TTL (BEP2-OD/OA only)	2ch Input
Relay (BEP2-OD/OA only)	1 Relay
Tamper	Supported
Power	DC 12V
Dimensions (WxHxD, mm)	50 x 164 x 37.5
Certificates	CE, FCC, KC, RoHS, REACH, WEEE

System Configurations

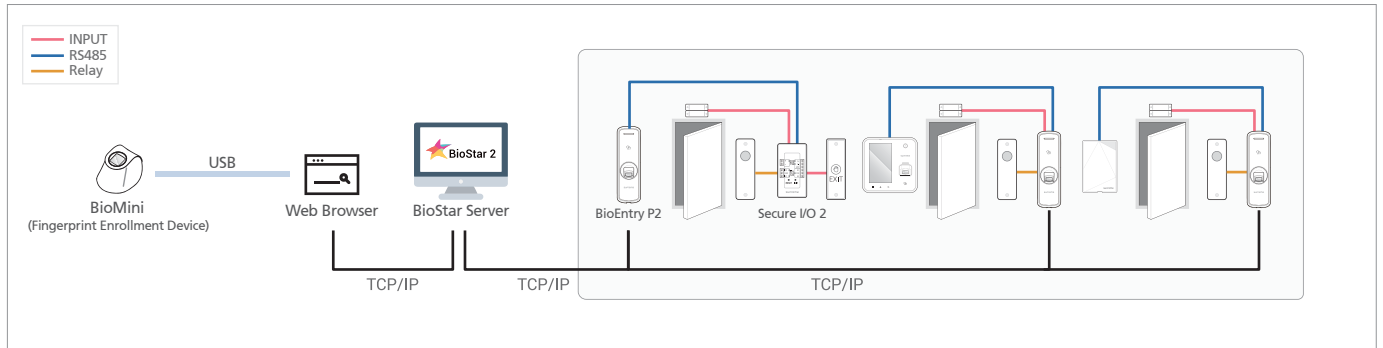
• Standalone



• Standalone-Secure



• Distributed Access Control Systems



Suprema AFRICA.

108 Eleventh Street, Parkmore, 2196, SOUTH AFRICA
 Tel: +27 11 784 3952
 E-mail: enquiry@suprema.co.za | www.suprema.co.za

